

# SUCSPAM 200

Normal-Duty Tapped-Base Pillow Block  
Setscrew Lock

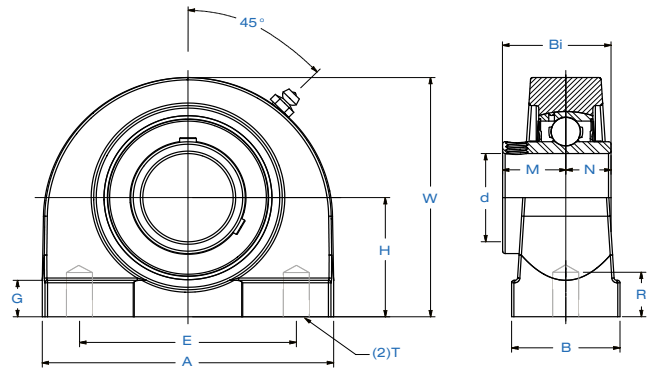
Seal  
Styles



Standard Seal  
with Flinger



Triple-Lip  
L3 Seal



Bearing Number	Shaft Dia.	Dimensions in. mm.										Thread Size (T)		Load Rating lbs. kN.		Bearing Insert	Housing Number	Wt.			
	d in. mm.	H	A	E	B	R	G	W	Bi	N	M	in. mm.	Dynamic Cr	Static Cor	lbs. kg.						
SUCSPAM 201	12																SUC 201				
SUCSPAM 201-8	1/2																SUC 201-8				
SUCSPAM 202	15																SUC 202	SPAM 204	1.6 0.7		
SUCSPAM 202-10	5/8	1.313	2.88	2.000	1.50	0.50	0.44	2.56	1.2205	0.5000	0.7205	3/8-16	2,331 10.37	1,142 5.08							
SUCSPAM 203	17	33.3	73.0	50.8	38.0	12.7	11.0	65.0	31.0	12.7	18.3										
SUCSPAM 204-12	3/4																				
SUCSPAM 204	20																				
SUCSPAM 205-14	7/8																		SUC 205-14	SPAM 205	2.0 0.9
SUCSPAM 205-15	15/16	1.438	3.00	2.000	1.50	0.50	0.47	2.80	1.3425	0.5630	0.7795	3/8-16	2,542 11.31	1,349 6.00							
SUCSPAM 205	25	36.5	76.0	50.8	38.0	12.7	12.0	71.0	34.1	14.3	19.8										
SUCSPAM 205-16	1																				
SUCSPAM 206-17	1 1/16																		SUC 206-17	SPAM 206	3.1 1.4
SUCSPAM 206-18	1 1/8																				
SUCSPAM 206	30	1.688	4.00	3.000	1.50	0.63	0.47	3.43	1.5000	0.6260	0.8740	7/16-14	3,554 15.81	1,942 8.64							
SUCSPAM 206-19	1 3/16	42.9	102.0	76.2	38.0	16.0	12.0	87.0	38.1	15.9	22.2										
SUCSPAM 206-20	1 1/4																				
SUCSPAM 207-20	1 1/4																		SUC 207-20	SPAM 207	4.1 1.9
SUCSPAM 207-21	1 5/16																				
SUCSPAM 207-22	1 3/8	1.875	4.25	3.250	1.89	0.75	0.47	3.74	1.6809	0.6890	1.0000	1/2-13	4,683 20.83	2,626 11.68							
SUCSPAM 207	35	47.6	108.0	82.6	48.0	19.0	12.0	95.0	42.9	17.5	25.4										
SUCSPAM 207-23	1 7/16																				
SUCSPAM 208-24	1 1/2																		SUC 208-24	SPAM 208	5.1 2.3
SUCSPAM 208-25	1 9/16	1.938	4.63	3.500	1.89	0.75	0.47	3.94	1.9370	0.7480	1.1890				1/2-13	5,294 23.55	3,057 13.60				
SUCSPAM 208	40	49.2	117.0	88.9	48.0	19.0	12.0	100.0	49.2	19.0	30.2										
SUCSPAM 209-26	1 5/8																		SUC 209-26	SPAM 209	6.1 2.8
SUCSPAM 209-27	1 11/16																				
SUCSPAM 209-28	1 3/4	2.125	4.96	3.750	2.00	0.75	0.47	4.25	1.9370	0.7480	1.1890	1/2-13	5,923 26.35	3,507 15.60							
SUCSPAM 209	45	54.0	126.0	95.3	51.0	19.0	12.0	108.0	49.2	19.0	30.2										
SUCSPAM 210-30	1 7/8																		SUC 210-30	SPAM 210	7.0 3.2
SUCSPAM 210-31	1 15/16																				
SUCSPAM 210	50	2.250	5.50	4.000	2.00	0.87	0.55	4.61	2.0315	0.7480	1.2835	5/8-11	6,402 28.48	4,046 18.00							
SUCSPAM 210-32	2	57.2	140.0	101.6	51.0	22.0	14.0	117.0	51.6	19.0	32.6										

**MARINER**®